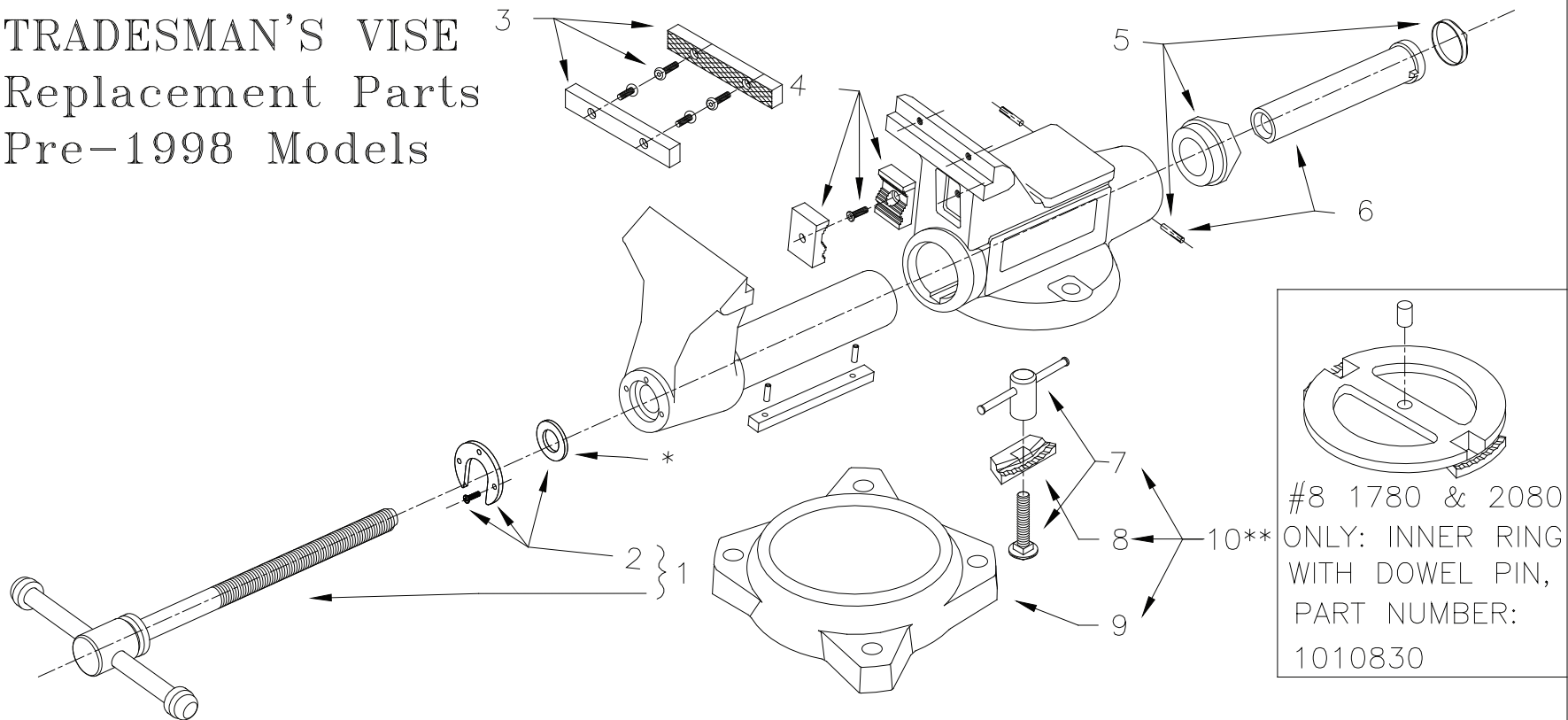


TRADESMAN'S VISE Replacement Parts Pre-1998 Models



WILTON MODEL NUMBER	MOVEABLE JAW CASTING NUMBER: REFERENCE	ITEM #1 SPINDLE ASSEMBLY WITH #2	ITEM #2* RING WITH (3) SCREWS & WASHER	ITEM #3 SERRATED JAW INSERTS W/ SCREWS	ITEM #4 PIPE JAW ASSEMBLIES, COMPLETE	ITEM #5 END PIECE ASSEMBLY W/ 2 PINS	ITEM #6 SPINDLE NUT, WITH 2 PINS	ITEM #7** LOCK NUT AND BOLT ASSEMBLIES	ITEM #8** LOCKING PADS (PER PAIR)	ITEM #9** OUTER RING ONLY	ITEM #10** SWIVEL BASE ASSEMBLY (#8, #9, & #10)
1740<1993	110028	2900000	2904000	2904040	2904200	2905750	2903110	2905190	9040010	1011990	2905400
1740>1993	110028	2900000	2904000	2904040	2904200	2907760	2903110	2905190	9040010	1011990	2905400
1750<1992	111052	2900150	2904000	2904110	2904200	2905740	2900130	2905200	9040020	1011980	2905790
1750>1992	111052	2900150	2904000	2904110	2904200	2907770	2900130	2905200	9040020	1011980	2905790
1760<1994	121033	2900330	2904010	2907750	2904200	NOT AVAIL.	2900120	2905200	9040020	1011980	2905790
1760>1994	121033	2900330	2904010	2907750	2904200	2907780	2900120	2905200	9040020	1011980	2905790
1780	112214	2900510	2904070	2908100	2908050	2907470	2900520	2905370	SEE BOX	1010840	2900590
2040<1993	110028	2900000	2904000	2904040	2904200	2905750	2903110	2905190	9040010	1011990	2905400
2040>1993	110028	2900000	2904000	2904040	2904200	2907760	2903110	2905190	9040010	1011990	2905400
2050<1992	111052	2900150	2904000	2904110	2904200	2905740	2900130	2905200	9040020	1011980	2905790
2050>1992	111052	2900150	2904000	2904110	2904200	2907770	2900130	2905200	9040020	1011980	2905790
2060<1994	121033	2900330	2904010	2907750	2904200	NOT AVAIL.	2900120	2905200	9040020	1011980	2905790
2060>1994	121033	2900330	2904010	2907750	2904200	2907780	2900120	2905200	9040020	1011980	2905790
2080	112214	2900510	2904070	2908100	2908050	2907470	2900520	2905370	SEE BOX	1010840	2900590

* Washer was not originally furnished with these vises, but may be used to compensate for counterbore wear.

** Items 7 thru 10 are not used on "N" model vises.